

Zip® GlobalPlus Water Filters

Affix Model Number Label Here

800955

GP



This page intentionally left blank.

Read These Warnings First



- Designed for indoor use only – do not expose filters to the elements of nature.
- Do not install where exposed to direct sunlight or temperatures $<4^{\circ}\text{C}$ or $>40^{\circ}\text{C}$.
- Must be installed with service isolating valve and double non-return valve.
- Minimum safe operating water pressure is 175 kPa, maximum 700 kPa.
- Must be installed with pressure reduction valve if pressure exceeds 700 kPa.
- Do not install where water quality is unknown or microbiologically unsafe.
- Thoroughly flush the filter through after non-use periods or 24 hours or more.
- For safety's sake, replace all filter cartridges at intervals of 12 months or less.
- Replace any filter if water flow slows or if unpleasant tastes or odours occur.

WARNING

To reduce the risk associated with the ingestion of contaminants:

- Do not use with water that is microbiologically unsafe or of unknown quality without adequate disinfection before or after the system. Systems certified for cyst reduction may be used on disinfected water that may contain filterable cysts. EPA Establishment 070595-MEX-001

To reduce the risk associated with hazardous voltage due to an installer drilling through existing electric wiring or water pipes in the area of installation:

- Do not install near electric wiring or piping which may be in path of a drilling tool when selecting the position to mount the system bracket.

CAUTION

To reduce the risk associated with property damage due to water leakage:

- Read and follow Use Instructions before installation and use of this system.
- Installation and use MUST comply with all state and local plumbing codes.
- Protect from freezing, remove filter cartridge when temperatures are expected to drop below 4.4°C .
- Do not install systems in areas where ambient temperatures may go above 43°C .
- Do not install on hot water supply lines. The maximum operating water temperature of this system is 38°C .
- If water pressure exceeds 700 kPa, you must install a pressure limiting valve. Contact a plumbing professional if you are uncertain how to check your water pressure.
- Do not install where water hammer conditions may occur. If water hammer conditions exist you must install a water hammer arrester. Contact a plumbing professional if you are uncertain how to check for this condition.
- Where a backflow prevention device is installed on a water system, a device for controlling pressure due to thermal expansion must be installed.
- Do not use a gas torch or other high temperature sources near system, cartridges, plastic fittings or plastic plumbing.
- Do not install in direct sunlight or outdoors.
- When selecting the position to mount the bracket do not install near water pipes which will be in path of a drilling tool.
- Mount system in such a position as to prevent it from being struck by other items used in the area of installation.

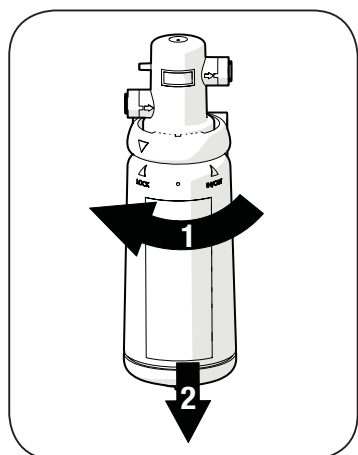
Read These Warnings First

- Ensure that the location and fasteners will support the weight of the system when installed and full of water.
- Ensure all tubing and fittings are secure and free of leaks.
- Do not install using rigid piping. System intended for use with plastic water lines (such as PEX tubing, PE tubing, PP tubing).
- The disposable filter cartridge **MUST** be replaced every 12 months, at the rated capacity or sooner if a noticeable reduction in flow rate occurs.

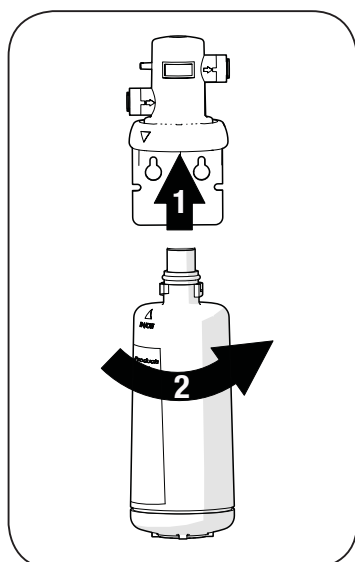
How to Replace the External Filter Cartridge

FILTER CARTRIDGE REPLACEMENT

REMOVE FILTER



INSERT FILTER



This instruction is for the replacement of the filter in product where the filter is mounted externally. In preparation for your filter activation/flushing, ensure you have a 10 litre container available.

Some water may drip from the filter head (socket) during replacement. Keep a towel handy to dry up any drips.

To Change the Filter:

1. Shut off the main water supply isolation valve at the wall.
2. Grasp filter cartridge and twist right to left one quarter turn until it stops.
3. Ease cartridge downwards to detach it from the filter head (socket).
Caution: A small amount of water will drip as the cartridge is removed.
4. Do not tilt the cartridge as water may spill from it.
5. Unpack the replacement cartridge, remove the sanitary cap and write today's date where shown on the label.
6. Avoid touching the filter "O" rings and filter opening as this may cause bacterial contamination of the cartridge.
7. Align the filter cartridge marker IN/OUT with the marker on the left side of the filter head.
8. Slide the cartridge upward into the head and rotate from left to right until the LOCK marker aligns with the filter head marker.
9. Re-open the main water supply isolation valve at the wall.
10. To activate the cartridge, if connected to a filter tap, run water by opening the tap until approximately 10 litres of water has passed through the filter. (for other combined products see warning below)
11. Wipe up any spills and dispose of the spent filter cartridge and packaging thoughtfully.

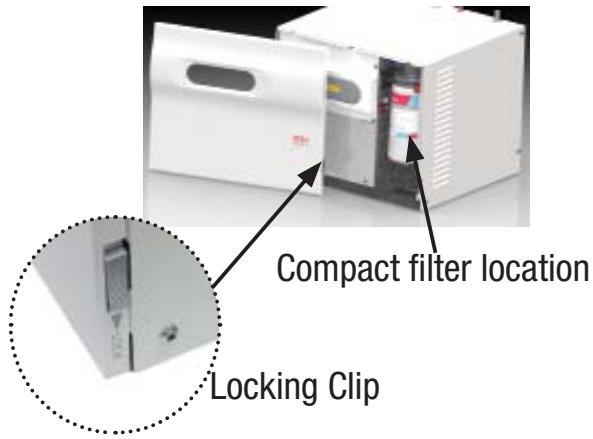
Warning: If the filter is external to a boiling water, chilled water or combined boiling and chilled water dispensing product, the hose that enters the dispensing product should be disconnected from the product and the filter activation/flush needs to be directed through this hose into a bucket to avoid flushed particles from entering into the storage tanks.

How to Replace the Internal Filter Cartridge

This instruction is for the replacement of the filter in the Zip HydroTap product where the filter is mounted internally. In preparation for your filter flushing, ensure you have a 10 litre container available.

Some water may drip from the filter head (socket) during replacement. Keep a towel handy to dry up any drips.

How to Replace the Internal Filter Cartridge

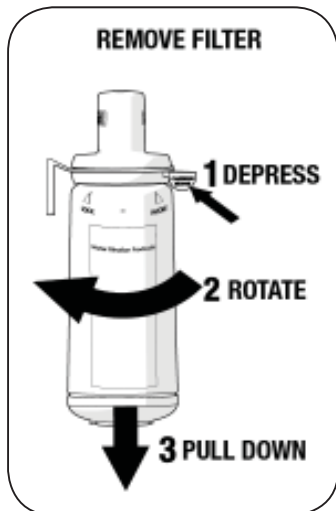


To change the Filter:

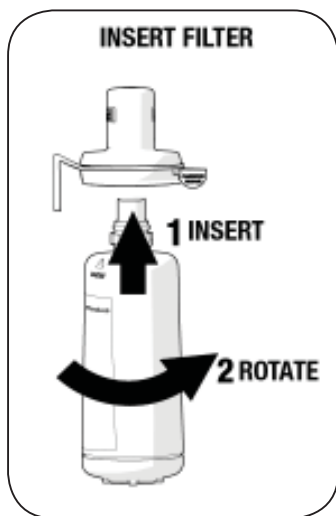
1. Scroll through the screen menu to "Filter Flush Off" this isolates the water supply.
2. Open the left door or on the compact model, remove the front cover by lifting the locking tab as shown in photo along side and lift off to expose the filter.
3. Relieve system pressure via the filter flush stop cock, a quick open and close will do. Use the bucket to catch the discharge.
4. Grasp filter cartridge, depress the red lever and rotate the cartridge a quarter turn to the left and gently pull down. **Caution:** a small amount of water will drip as the cartridge is removed.
5. Do not tilt the cartridge as water may spill from it if tilted.
6. Unpack replacement cartridge, write today's date where shown on the label and remove the sanitary cap.
7. Avoid touching the filter O-rings and filter opening as this may cause bacterial contamination of the cartridge.
8. Moisten the O-rings with water, align the front cartridge label to the left as shown in the "insert filter" diagram for filter cartridge replacement, and push the new cartridge into the filter head.
9. Turn the cartridge a quarter turn to the right until the cartridge comes to complete stop and is locked into position, with the front label facing forward.
10. Locate the filter flush hose situated behind the filter cartridge and direct the hose into a container ready for flushing. Open the filter flush stop-cock. On the control panel press adjust \blacktriangle , this will start the water flow, flushing the cartridge. Allow at least 10 litres of water through the cartridge before use, to activate the filter. Isolate the filter flush stop-cock and re-fit behind the filter cartridge. Now press the adjust \blacktriangle to stop the flow. (It may take approximately 3 minutes to flush the 10 litres.)
11. Wipe up any spills and dispose of spent filter cartridge and packaging thoughtfully.
12. Scroll through the menu to "Litres Filtered", press adjust \blacktriangle to reset litre counter. Press adjust \blacktriangle and it asks "are you sure". Press adjust \blacktriangle again to lock in the command.
13. Scroll through the menu to "Filter Used (Days)", press adjust \blacktriangle to reset the timer. Press adjust \blacktriangle and it asks "are you sure". Press adjust \blacktriangle again to lock in the command. After approx 10 seconds it will default to the selected mode.
14. Close the door to secure the appliance.

FILTER CARTRIDGE REPLACEMENT

REMOVE FILTER



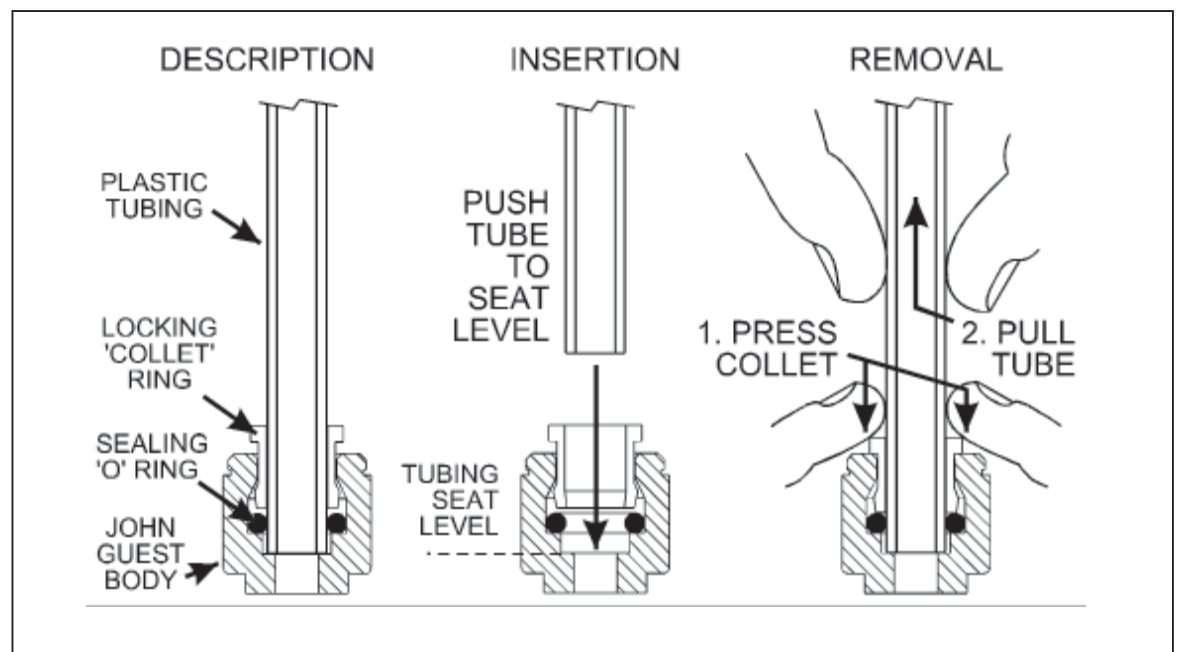
INSERT FILTER



Inserting & Removing Water Supply Lines from John Guest Fittings

General instructions for John Guest connections

NOTE: Ensure all John Guest tube ends are cut clean and square.



Other information

Important Notice

Read this data sheet to compare the capabilities to your actual water treatment needs before purchasing.

More Information

When the filter is fitted to an appliance, please refer to the appliance owner's guide for more product specific information and advice on how to avoid contamination from improper handling and installation.

Warranty

Zip Water Filter cartridges are not covered by standard Zip warranty as filter life may vary according to water quality and rate of use.

Performance Data Sheet

Use Replacement Cartridge 91289

The concentration of the indicated substances in water entering the system was reduced to a concentration less than or equal to the permissible limit for water leaving the system as specified in NSF/ANSI Standard 42 and NSF/ANSI Standard 53.

Capacity: 3,785 litres Contaminant Reduction Determined by NSF testing.

Test Conditions: pH7.5, Pressure: 415 kPa, Flow Rate: 1.9L/min

Substance Reduction	Average Influent	NSF/ANSI specified Challenge Concentration	Avg % Reduction	Average Product Water Concentration	NSF Max Permissible Product Water Concentration	Australian/ New Zealand (AS/NZS Standard 3497) Max Permissible Product Water Concentration	NSF Reduction Requirements	NSF Test Report
Chlorine Taste and Odor	2.0 mg/L	2.0 mg/L ±10%	97.3%	0.05 mg/L	N/A	5.0 mg/L	≥ 50%	J-00109688
Cyst*	140,000 cysts/L	Minimum 50,000 cysts/L	>99.99%	3 cyst/L	N/A	1 cyst/100 L	≥ 99.95%	J-00109693
Lead pH @6.5	0.150 mg/L	0.15 mg/L ± 10%	99.3%	0.001 mg/L	0.010 mg/L	0.01 mg/L	N/A	J-00109691
Lead pH @8.5	0.150 mg/L	0.15 mg/L ± 10%	99.3%	0.001 mg/L	0.010 mg/L	0.01 mg/L	N/A	J-00109692

* Based on the use of Cryptosporidium parvum oocysts

Application Guidelines/ Water Supply Parameters	
Service Flow	1.9 lpm
Water Supply	Potable Water
Water Pressure	172 - 862 kPa
Water Temperature	4.4°C - 38°C



System tested and certified by NSF International against NSF/ANSI Standard 42 and Standard 53 for the reduction of substances as listed below according to Standard 42 and Standard 53.

It is essential that the manufacture’s recommended installation, maintenance and filter replacement requirements be carried out for the product to perform as advertised. See installation Manual for details.

Note: While the testing was performed under standard laboratory conditions, actual performance may vary.

Performance Data Sheet

Use Replacement Cartridge 91290

The concentration of the indicated substances in water entering the system was reduced to a concentration less than or equal to the permissible limit for water leaving the system as specified in NSF/ANSI Standard 42 and NSF/ANSI Standard 53.

Capacity: 6,435 litres Contaminant Reduction Determined by NSF testing.

Test Conditions: pH7.5, Pressure: 415 kPa, Flow Rate: 1.9L/min

Substance Reduction	Average Influent	NSF/ANSI specified Challenge Concentration	Avg % Reduction	Average Product Water Concentration	NSF Max Permissible Product Water Concentration	Australian/ New Zealand (AS/NZS Standard 3497) Max Permissible Product Water Concentration	NSF Reduction Requirements	NSF Test Report
Chlorine Taste and Odor	2.0 mg/L	2.0 mg/L ±10%	97.3%	0.05 mg/L	N/A	5.0 mg/L	≥ 50%	J-00109688
Benzene	0.015 mg/L	0.015 MG/L L ±10%	95.3%	0.0007 mg/L	0.005 mg/L	0.01 mg/L	N/A	J-00113270
Cyst*	140,000 cysts/L	Minimum 50,000 cysts/L	>99.99%	3 cyst/L	N/A	1 cyst/100 L	≥ 99.95%	J-00109693
Lead pH @6.5	0.150 mg/L	0.15 mg/L ± 10%	99.3%	0.001 mg/L	0.010 mg/L	0.01 mg/L	N/A	J-00109691
Lead pH @8.5	0.150 mg/L	0.15 mg/L ± 10%	99.3%	0.001 mg/L	0.010 mg/L	0.01 mg/L	N/A	J-00109692

* Based on the use of Cryptosporidium parvum oocysts

Application Guidelines/ Water Supply Parameters	
Service Flow	1.9 lpm
Water Supply	Potable Water
Water Pressure	172 - 862 kPa
Water Temperature	4.4°C - 38°C



System tested and certified by NSF International against NSF/ANSI Standard 42 and Standard 53 for the reduction of substances as listed below according to Standard 42 and Standard 53.

It is essential that the manufacture's recommended installation, maintenance and filter replacement requirements be carried out for the product to perform as advertised. See installation Manual for details.

Note: While the testing was performed under standard laboratory conditions, actual performance may vary.

Performance Data Sheet

Use Replacement Cartridge 91291

The concentration of the indicated substances in water entering the system was reduced to a concentration less than or equal to the permissible limit for water leaving the system as specified in NSF/ANSI Standard 42 and NSF/ANSI Standard 53.

Capacity: 11,356 litres Contaminant Reduction Determined by NSF testing.

Test Conditions: pH7.5, Pressure: 415 kPa, Flow Rate: 1.9L/min

Substance Reduction	Average Influent	NSF/ANSI specified Challenge Concentration	Avg % Reduction	Average Product Water Concentration	NSF Max Permissible Product Water Concentration	Australian/ New Zealand (AS/NZS Standard 3497) Max Permissible Product Water Concentration	NSF Reduction Requirements	NSF Test Report
Chlorine Taste and Odor	2.0 mg/L	2.0 mg/L ± 10%	91.4%	0.17 mg/L	N/A	5.0 mg/L	≥ 50%	J-00109690
Cyst*	98,750 cysts/L	Minimum 50,000 cysts/L	>99.99%	2 cyst/L	N/A	1 cyst/100 L	≥ 99.95%	J-00112772

* Based on the use of Cryptosporidium parvum oocysts

Application Guidelines/ Water Supply Parameters	
Service Flow	3.8 lpm
Water Supply	Potable Water
Water Pressure	172 - 862 kPa
Water Temperature	4.4°C - 38°C



System tested and certified by NSF International against NSF/ANSI Standard 42 and Standard 53 for the reduction of substances as listed below according to Standard 42 and Standard 53.

It is essential that the manufacture's recommended installation, maintenance and filter replacement requirements be carried out for the product to perform as advertised. See installation Manual for details.

Note: While the testing was performed under standard laboratory conditions, actual performance may vary.

Performance Data Sheet

Use Replacement Cartridge 91292

The concentration of the indicated substances in water entering the system was reduced to a concentration less than or equal to the permissible limit for water leaving the system as specified in NSF/ANSI Standard 42 and NSF/ANSI Standard 53.

Capacity: 6,435 litres Contaminant Reduction Determined by NSF testing.

Test Conditions: pH7.5, Pressure: 415 kPa, Flow Rate: 1.9L/min

Substance Reduction	Average Influent	NSF/ANSI specified Challenge Concentration	Avg % Reduction	Average Product Water Concentration	NSF Max Permissible Product Water Concentration	Australian/ New Zealand (AS/NZS Standard 3497) Max Permissible Product Water Concentration	NSF Reduction Requirements	NSF Test Report
Chlorine Taste and Odor	2.0 mg/L	2.0 mg/L ± 10%	97.3%	0.05 mg/L	N/A	5.0 mg/L	≥ 50%	J-00109688
Benzene	0.014 mg/L	0.015 mg/L L ± 10%	97.6%	0.0003 mg/L	0.005 mg/L	0.01 mg/L	N/A	J-00114903

* Based on the use of Cryptosporidium parvum oocysts

Application Guidelines/ Water Supply Parameters	
Service Flow	1.9 lpm
Water Supply	Potable Water
Water Pressure	172 - 862 kPa
Water Temperature	4.4°C - 38°C



System tested and certified by NSF International against NSF/ANSI Standard 42 and Standard 53 for the reduction of substances as listed below according to Standard 42 and Standard 53.

It is essential that the manufacturer's recommended installation, maintenance and filter replacement requirements be carried out for the product to perform as advertised. See installation Manual for details.

Note: While the testing was performed under standard laboratory conditions, actual performance may vary.

Contact details

Head Office

Zip Heaters (Aust) Pty Ltd
ABN: 46 000 578 727
67 Allingham Street
Condell Park NSW 2200
Postal: Locked Bag 80
Bankstown 1885 Australia

Telephone: +61 2 9796 3100
Facsimile: +61 2 9796 3858

www.zipheaters.com

Head Office

Zip Heaters (UK) Ltd
14 Bertie Ward Way
Dereham
Norfolk NR19 1TE

Website: www.zipheaters.co.uk
info@zipheaters.co.uk

Telephone: 0870 608 8888
Facsimile: 01362 692 448

The term "Zip" is a registered trademark.

As Zip policy is one of continuous product improvement, changes to specifications may be made without prior notice. Images in this booklet have been modified and may not be true representations of the finished goods.



All components are
FDA CFA compliant

